



RS-485/RS-422 HK-5109 Photoelectric Isolation Data Repeater UserManual

I. Summary

Compatible with the Recommended Standards of RS-422 and RS-485, HK-5109 photoelectric isolation data repeater can extend the communication distance of RS-422/RS-485 signal switchboard network and increase the number of RS-422/RS-485 network equipments. The built-in photoelectric isolator and DC/DC isolation module can provide an isolation voltage of as high as 250Vrms. Also, there is a rapid transient voltage suppression protector for the protection of RS-422/RS-485 interface with the advanced TVS(TRANSIENT VOLTAGE SUPPRESSOR) technology adopted. Under normal conditions, the TVS tube is in the state of high resistance. However, when both ends of the TVS tube are hit by a transient high energy, the impedance at both ends can be depressed by the TVS at a very high speed, and after absorbing a high current, the voltage between the two ends is suppressed and kept at a pre-set value, therefore no damage is caused to the electrical components behind by the transient high voltage impact. The protector can effectively restrain lightning or ESD(electro static discharge) with a protection voltage of 600W on each line for lightning surge and surge voltage or transient overvoltage possibly caused up by various reasons, and at the same time, a high-speed transmission of RS-422/RS-485 interface is ensured by the tiny capacitance between the poles. Through a 10PIN female connector, RS-422/RS-485 input interfaces are connected, and for RS-422 and RS-485 output interfaces, a 10PIN male connector is to be used for connection. The unique I/O circuit of the internal zero delay auto transceiver contained in the converter controls the data stream direction automatically without any handshaking signal (for example RTS, DTR etc). The converter is plug-and-play without any jumper settings needed for

mode shift between full duplex (RS-422) and half duplex (RS-485).

A reliable and stable point-to-point and point-to-multipoint communication can be ensured by HK-5109 photoelectric isolation interface converter. For point-to-multipoint communication, as many as 128 interface facilities of RS-422 or RS-485 standard can be connected to each converter, and a high data transmission rate of 300-115.2KBPS can be achieved. Power indicator light and data traffic indicator light are also available with the converter for malfunction indication.

II. Performance parameters

1. Interface characteristic: compatible with the standards of RS-485/RS-422 issued by EIA/TIA.
2. Electric interface: 10PIN female connectors for RS-422/RS-485 interface input end, 10PIN male connector for RS-422/RS-485 interface output end.
3. Protection Grade: Impose a protection of 600W on each line of RS-422 and RS-485 interfaces for lightning surge, +/-15KV ESD protection.
4. Isolation degree: isolation voltage 2500Vrms 500DC non-stop.
5. Operation mode: asynchronous half duplex or asynchronous full duplex.
6. Signal indication: 3 pilot lamps for Power (PWR), Send (TXD) and Receive (RXD).
7. Transmission media: twisted pair cable or shielded cable.
8. Transmission rate: 300-115.2K BPS.
9. Dimensions: 113mm*55mm*25mm.
10. Working Circumstance: -25oC 70oC, relative humidity 5%-95%.
11. Transmission distance: 0-5,000meters (115,200bps-9,600bps).

III. Connector and signal

RS-485/RS-422 input terminal signal bay-line distribution

10PIN (PIN)	Output signal	RS-422	RS-485
1	T/R+	SEND(A+)	RS-485 (A+)
2	T/R-	SEND(B-)	RS-485 (B-)
3	RXD+	RECEIVE(A+)	
4	RXD-	RECEIVE(B-)	
5	N/C		

6	N/C		
7	N/C		
8	N/C		
9	N/C		
10	GND		

RS-485/RS-422 output terminal signal bay-line distribution.

10PIN (PIN)	Output signal	RS-422	RS-485
1	T/R+	SNAD(A+)	RS-485 (A+)
2	T/R-	SNAD发(B-)	RS-485 (B-)
3	RXD+	RECEIVE(A+)	
4	RXD-	RECEIVE(B-)	
5	N/C		
6	N/C		
7	N/C		
8	Eaeth		
9	VCC	POWER9V-36V DC	POWER9V-36VDC
10	GND		

IV. Hardware installment and application

Read the user manual carefully before installing the HK-5109 photoelectric isolation data repeater. Then insert the power supply converter to power socket. The product adopts the 10PIN/10PIN general used connector for input and output interface without jumper setting for RS-485 or RS-422 automatic communication mode. Either twisted pair cable or shielded cable is applicable for easy installation or un-installation. T/R+T/R- represents sending and receiving the A+/B-, RXD+/RXD- represents receiving the A+/B-, VCC represents power input or output, GND represents public underground line. Point-to-point and point-to-multipoint half duplex communication use the two lines of T/R+ and T/R-, point-to-point and point-to-multipoint full duplex communication use the four lines of T/R+, T/R-, RXD+ and RXD-.

HK-5109 interface converter supports the following 4 communication modes:

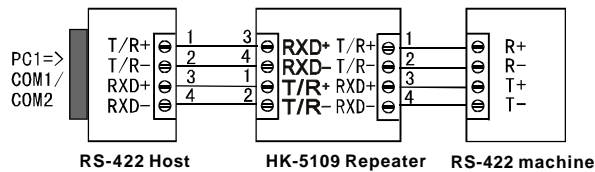
2. Point-to-multipoint 4-line full duplex
3. Point-to-point 2-line half duplex
4. Point-to-multipoint 2-line half duplex

In order to prevent the signal reflection or interference when converter is used in full-duplex or half-duplex mode, a proper matching resistance should be connected at the terminal of the line (1200 1/4W).

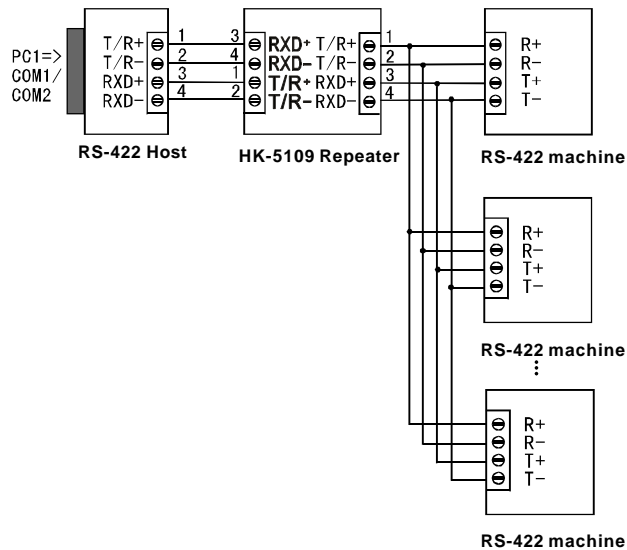
V. Communication connection chart

RS-422 4-line relay conversion

1. RS-422 point-to-point 4-line full duplex relay communication

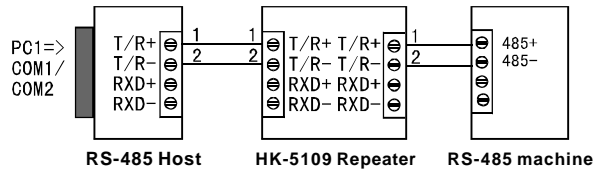


2. RS-422 point-to-multipoint 4-line full duplex relay communication

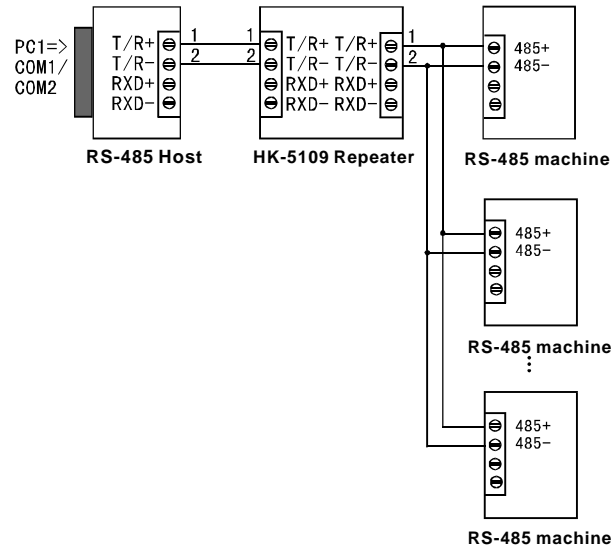


RS-485 2-line relay conversion

1. RS-485 point-to-point 2-line half duplex relay communication



2. RS-485 point-to-multipoint 2-line half duplex relay communication



VI. Problems and resolutions

1. Data communication failure

A. Make sure RS-485/RS-422 input interface connection is correct.

B. Make sure RS-485/RS-422 output interface connection is correct.

C. Make sure power supply is OK.

D. Make sure the wire terminal connection is OK.

E. Make sure the pilot lamp flashes when receiving.

F. Make sure the pilot lamp flashes when sending

2. Data missing or incorrect

A. Check to see whether if the data rate and format at both ends of the communication equipment are