



RS-232/RS-422

HK-5101 Interface Converter Instruction

Summary

In order to carry through remote digital communication between computers with various standard series interfaces converter facilities or intelligent instruments, it needs inter exchange of standard series interface converter of compatible RS-232C and RS-422 standard is able to convert mono-end RS-232 signal to balance difference RS-422 signal and extend the communication distance to 1.2km. No external power but adopts a particular RS-232 charge pump to drive the system, and gains electricity without initializing the RS-232 series interface. An internal zero delay auto transceiver and particular I/O circuit automatically control the data stream direction in stead of an handshake signal (for example RTS, DTR etc). There by in guarantees the function under RS-422 without changing the program compiled under RS-232 Full-duplex mode and assures the adaptation to current operation software and interface hardware. The transmission rate of 300-115.2kbps. Is capable of applying between host computers, host computer and is extensions or external equipment and forms Point-to-point or point-to-multipoint remote and multi-communication network, It implements multi-machine response communication and commonly used in systems of industrial automation control all-one-card. Door safe, car parking, ATM, bus charge, eatery sell out, staff attendance management, and toll highway etc.

II. Capabilities parameter

Interface feature: RS-232C, RS-422 standard interface

compatible with: EIA, TIA

Electric interface: RS-232 end DB9 hole connector, RS-422 end

DB9 needle connector, with connection pole

Working mode: asynchronism Full-duplex difference transmission

Transmission media: twisted-pair STP

Transmission rate: 300-115.2KBPS

External discharged dimension: 63mm X 33mm X 17mm

Working circumstance: -25 to 70 degree C, relative humidity 5% to 95%

Transmission distance: 1,200mm (RS-422 end), 5m (RS-232 end)

III. Connector and signal:

RS-232C bay-linedistribution

DB9 Female (PIN)	RS-232C Interface Signal
1	Protective
2	RXDSIN
3	TXDSOUT
4	DTR
5	GND
6	DSR
7	RTS
8	CTS
9	RI

RS-422 data output & connector and bay-linedistribution

DB9 Male (PIN)	Data Output	RS-422 Full-Duplex
1	T/R+	(A+)
2	T/R-	(B-)
3	RX+	(A+)
4	RX-	(B-)
5	GND	Ground Wire
6	VCC	+5V Standby Power input

IV. Hardware installation & application

The product exterior adopts DB-9 to DB-9 all-purpose transit plugs, output plug carries ordinary connection pole, can use TP or STP and easy connection and disassembly, T/R+, T/R- stands for dispatching A+, B-, VCC stands for standby power input, GND stands for public ground wire, point-to-point or point-to-multipoint, Full-duplex communication need 2 connection (T/R+, T/R-), connection principle is T/R+ connect to opposite T/R+, T/R- connect to opposite T/R-, RS-422 Full-duplex mode connection is to connect T/R+ to opposite A+, and T/R- to opposite B-.

Remark: A+ for (422+), B- for (422-)

HK-5101 interface supports 2 communication modes as below

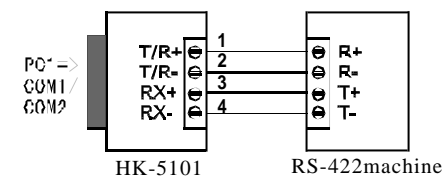
- 1、Point-to-point 4 wires Full-duplex
- 2、point-to-multipoint 4 wires Full-duplex

When converter works under Full-duplex connection, it needs to install a matching resistance (data 120ohm 1/4W) for preventing signal reflection and interference.

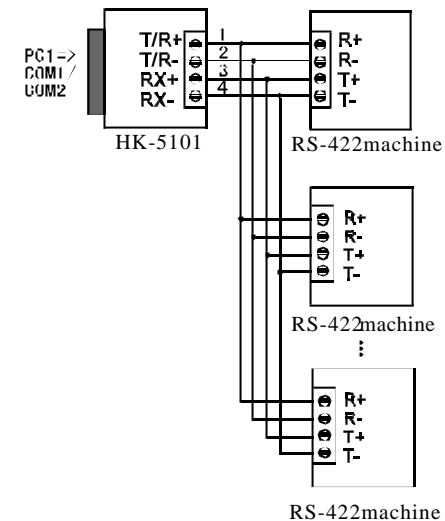
V. Communications sketch map

RS-232 to RS-422 conversion

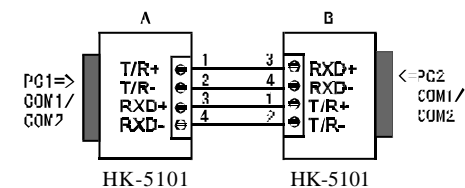
1. RS-422 point-to-point 4 wires Full-duplex



2. RS-422 point-to-multipoint 4 wires Full-duplex



3. HK-5101 Full-duplex communication connect between interface converter



VI. Problem and resolution

- 1、data communication failure
 - A. Check if RS-232 interface connection is correct
 - B. Check if RS-422 output connection is correct
 - C. Check if connection ends are well connected
- 2、data loss or mistake
 - A. Check if data rate and format is consistent on both communication end.